

US Audio Multiplexing Decoder

Description

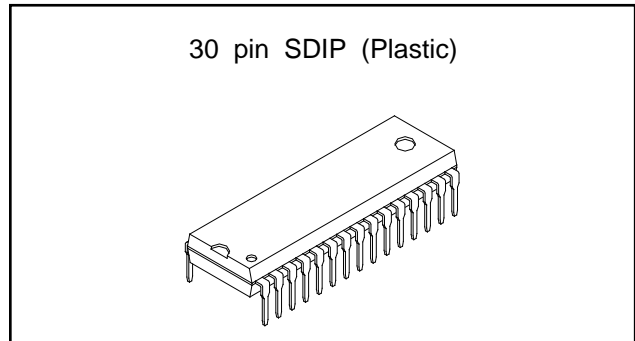
The CXA1734S is an IC designed as a decoder for the Zenith TV Multi-channel System also corresponds with I²C BUS. Functions include stereo demodulation, SAP (Separate Audio Program) demodulation and dbx noise reduction. Various kinds of filters are built in while adjustment and mode control are all executed through I²C BUS.

Features

- Audio multiplexing decoder and dbx noise reduction decoder are all included in a single chip. Almost any sort of signal processing is possible through this IC.
- All adjustments are possible through I²C BUS to allow for automatic adjustment.
- Various built-in filter circuits greatly reduce external parts.

Standard I/O Level

- Input level
COMPIN (Pin 11) 245 mVrms
- Output level
LOUT (Pin 29) 490 mVrms
ROUT (Pin 28) 490 mVrms



Absolute Maximum Ratings (Ta=25°C)

• Supply voltage	VCC	11	V
• Operating temperature	Topr	-20 to +75	°C
• Storage temperature	Tstg	-65 to +150	°C
• Allowable power dissipation	PD	1.35	W

Range of Operating Supply Voltage 9 ± 0.5 V

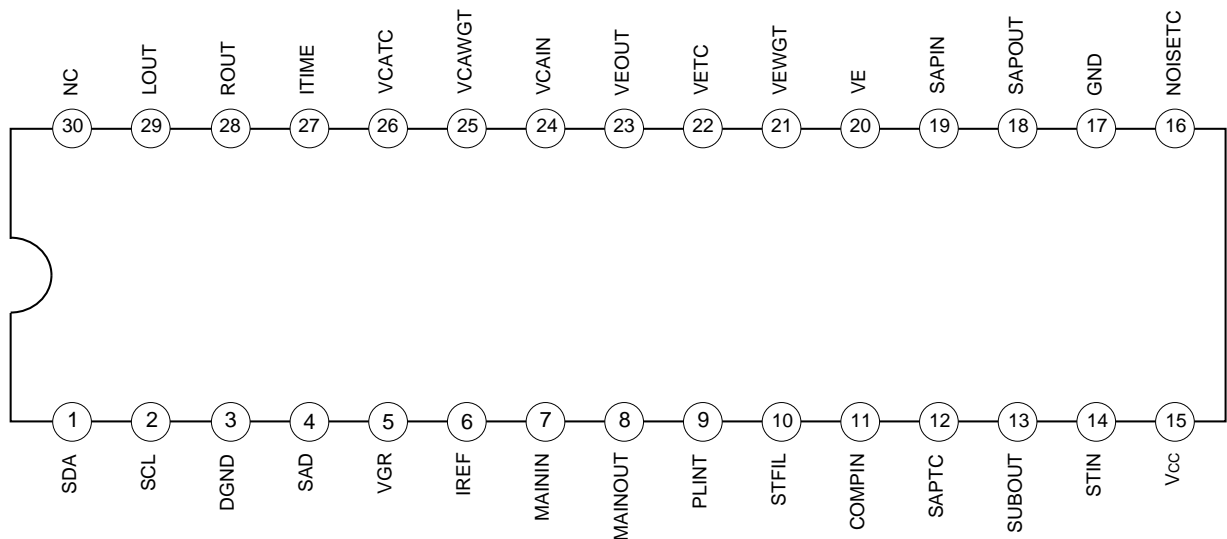
Applications

TV, VCR and other decoding systems for US audio multiplexing TV broadcasting

Structure

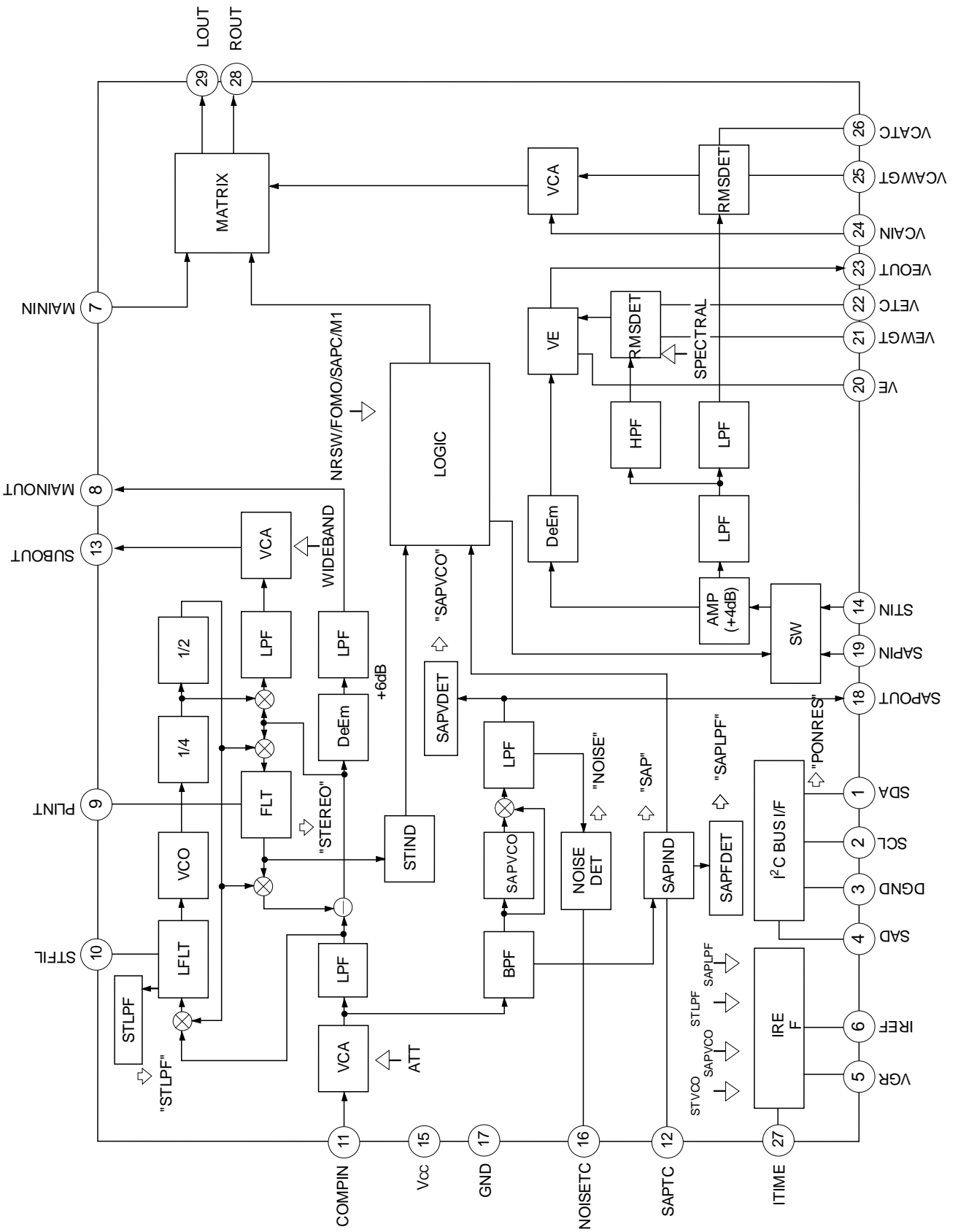
Bipolar silicon monolithic IC

Pin Configuration (Top View)



Sony reserves the right to change products and specifications without prior notice. This information does not convey any license by any implication or otherwise under any patents or other right. Application circuits shown, if any, are typical examples illustrating the operation of the devices. Sony cannot assume responsibility for any problems arising out of the use of these circuits.

Block Diagram



Pin Description

(Ta = 25°C, Vcc = 9 V)

Pin No.	Symbol	Pin voltage	Equivalent circuit	Description
1	SDA	—		Serial data I/O pin. $V_{IH} > 3.0\text{ V}$ $V_{IL} < 1.5\text{ V}$
2	SCL	—		Serial clock input pin. $V_{IH} > 3.0\text{ V}$ $V_{IL} < 1.5\text{ V}$
3	DGND	—		Digital block GND.
4	SAD	—		Slave address control switch. The slave address is selected by changing the voltage applied to this pin.
5	VGR	1.3V		Band gap reference output pin. Connect a 10 µF capacitor between this pin and GND.

Pin No.	Symbol	Pin voltage	Equivalent circuit	Description
6	IREF	1.3V		Set the filter and VCO reference current. The reference current is adjusted with the BUS DATA based on the current which flows to this pin. (Connect a 62 kΩ ±1% resistor between this pin and GND.)
7	MAININ	4.0V		Input the (L + R) signal from MAINOUT (Pin 8).
8	MAINOUT	4.0V		(L + R) signal output pin.
9	PLINT	6.3V		Pilot cancel circuit loop filter integrating pin. (Connect a 1 µF capacitor between this pin and GND.)

Pin No.	Symbol	Pin voltage	Equivalent circuit	Description
10	STFIL	5.3V		Stereo block PLL loop filter integrating pin.
11	COMPIN	4.0V		Audio multiplexing signal input pin.
12	SAPTC	4.5V		Set the time constant for the SAP carrier detection circuit. (Connect a 4.7 µF capacitor between this pin and GND.)
13	SUBOUT	4.0V		(L - R) signal output pin.

Pin No.	Symbol	Pin voltage	Equivalent circuit	Description
14	STIN	4.0V		Input the (L - R) signal from SUBOUT (Pin 13).
19	SAPIN	4.0V		Input the (SAP) signal from SAPOUT (Pin 18).
15	Vcc	—		Supply voltage pin.
16	NOISETC	3.0V		Set the time constant for the noise detection circuit. (Connect a 4.7 μF capacitor and a 200 kΩ resistor between this pin and GND.)
17	GND	—		Analog block GND.
18	SAPOUT	4.0V		SAP FM detector output pin.
20	VE	4.0V		Variable de-emphasis integrating pin. (Connect a 2700 pF capacitor and a 3.3 kΩ resistor in series between this pin and GND.)

Pin No.	Symbol	Pin voltage	Equivalent circuit	Description
21	VEWGT	4.0V		Weight the variable de-emphasis control effective value detection circuit. (Connect a 0.047 µF capacitor and a 3 kΩ resistor in series between this pin and GND.)
22	VETC	1.7V		Determine the restoration time constant of the variable de-emphasis control effective value detection circuit. The specified restoration time constant can be obtained by connecting a 3.3 µF capacitor between this pin and GND.
23	VEOUT	4.0V		Variable de-emphasis output pin. (Connect a 4.7 µF non-polar capacitor between Pins 23 and 24.)
24	VCAIN	4.0V		VCA input pin. Input the variable de-emphasis output signal from Pin 23 via a coupling capacitor.

Pin No.	Symbol	Pin voltage	Equivalent circuit	Description
25	VCAWGT	4.0V		<p>Weight the VCA control effective value detection circuit.</p> <p>(Connect a 1 μF capacitor and a 3.9 kΩ resistor in series between this pin and GND.)</p>
26	VCATC	1.7V		<p>Determine the restoration time constant of the VCA control effective value detection circuit.</p> <p>The specified restoration time constant can be obtained by connecting a 10 μF capacitor between this pin and GND.</p>
27	ITIME	1.3V		<p>Set the reference current for the effective value detection timing current.</p> <p>The reference current is adjusted with the BUS DATA "SPECTRAL" based on the current which flows to this pin.</p> <p>The timing current determines the restoration time constant of the detection circuit and the variable de-emphasis characteristics.</p> <p>Connect a 43 kΩ (\pm1%) resistor between this pin and GND.</p>

Pin No.	Symbol	Pin voltage	Equivalent circuit	Description
28	ROUT	4.0V		Right channel output pin.
29	LOUT			Left channel output pin.
30	NC	—		—

Electrical Characteristics

COMPIN input level (100% modulation level)
 fh=15.734kHz

Main (L+R) =245mVrms (Pre-Emphasis : OFF)
 SUB (L-R) =490mVrms (dbx-TV : OFF)
 Pilot =49mVrms
 SAP Carrier =147mVrms

No.	Item	Symbol	Conditions				Min.	Typ.	Max.	Unit
			Mode	Input	Input signal	Output				
1	Current consumption	Icc	—	—	—	22	32	42	mA	
2	Main output level	Vmain	Mono	11	MAIN 1k 100% Pre-em ON	28 29	490	540	mVrms	
3	De-emphasis frequency characteristics	FCdeem	Mono	11	MAIN 5k 30% Pre-em ON	28 29	0	1.0	dB	
4	Main LPF frequency characteristics	FCmain	Mono	11	MAIN 12k 30% Pre-em ON	28 29	-1.0	1.0	dB	
5	Main distortion	THDm	Mono	11	MAIN 1k 100% Pre-em ON	28 29	0.1	0.5	%	
6	Main overload distortion	THDmmax	Mono	11	MAIN 1k 200% Pre-em ON	28 29	0.15	0.5	%	
7	Mono S/N	SNmain	Mono	11	NO Signal	28 29	69	—	dB	
8	Sub output level	Vsub	ST	11	SUB 1k 100% NR-OFF	13	190	230	mVrms	
9	Sub LPF frequency characteristics	FCsub	ST	11	SUB 12k 30% NR-OFF	13	-0.5	1.0	dB	
10	Sub distortion	THDsub	ST	11	SUB 1k 100% NR-OFF	13	0.1	1.0	%	
11	Sub overload distortion	THDsmax	ST	11	SUB 1k 200% NR-OFF	13	0.5	2.0	%	
12	Sub S/N	SNsub	ST	11	fh 0dB (49mVrms)	13	56	—	dB	
13	Sub pilot leak	PCsub	ST	11	fh 0dB (49mVrms)	13	1.0	7.0	mVrms	
14	ST on level	THst	ST	11	fh	—	-6.0	-4.0	dB	
15	ST on/off hysteresis	HYst	ST	11	fh	—	6.0	8.5	dB	

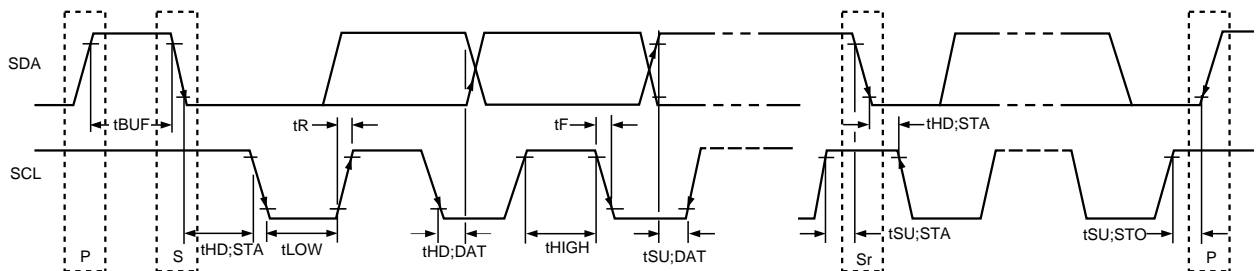
No.	Item	Symbol	Conditions						Min.	Typ.	Max.	Unit
			Mode	Input	Input signal	Output	Others					
16	ST separation 1	STsep1	ST	11	ST 300Hz 30%, NR-ON	28 29	L→R R→L	23	35	—	dB	
17	ST separation 2	STsep2	ST	11	ST 3kHz 30%, NR-ON	28 29	L→R R→L	23	35	—	dB	
18	SAP output level	Vsap	SAP	11	SAP 1k 100% NR-OFF	18	Using 15kHz LPF	150	190	230	mVrms	
19	SAP LPF frequency characteristics	FCsap	SAP	11	SAP 10k 30% NR-OFF	18		-3.0	0	2.5	dB	
20	SAP distortion	THDsap	SAP	11	SAP 1k 100% NR-OFF	18	Using 15kHz LPF	—	2.5	6.0	%	
21	SAP S/N	SNSap	SAP	11	SAP Carrier 147mVrms	18	Using 15kHz LPF Compared with the TEST18 output level	46	56	—	dB	
22	SAP on level	THsap	SAP	11	SAP Carrier	—	0dB=147mVrms	-12	-9	-6.5	dB	
23	SAP on/off hysteresis	HYsap	SAP	11	SAP Carrier	—	0dB=147mVrms	2.5	4	5.5	dB	

I²C BUS block items (SDA, SCL)

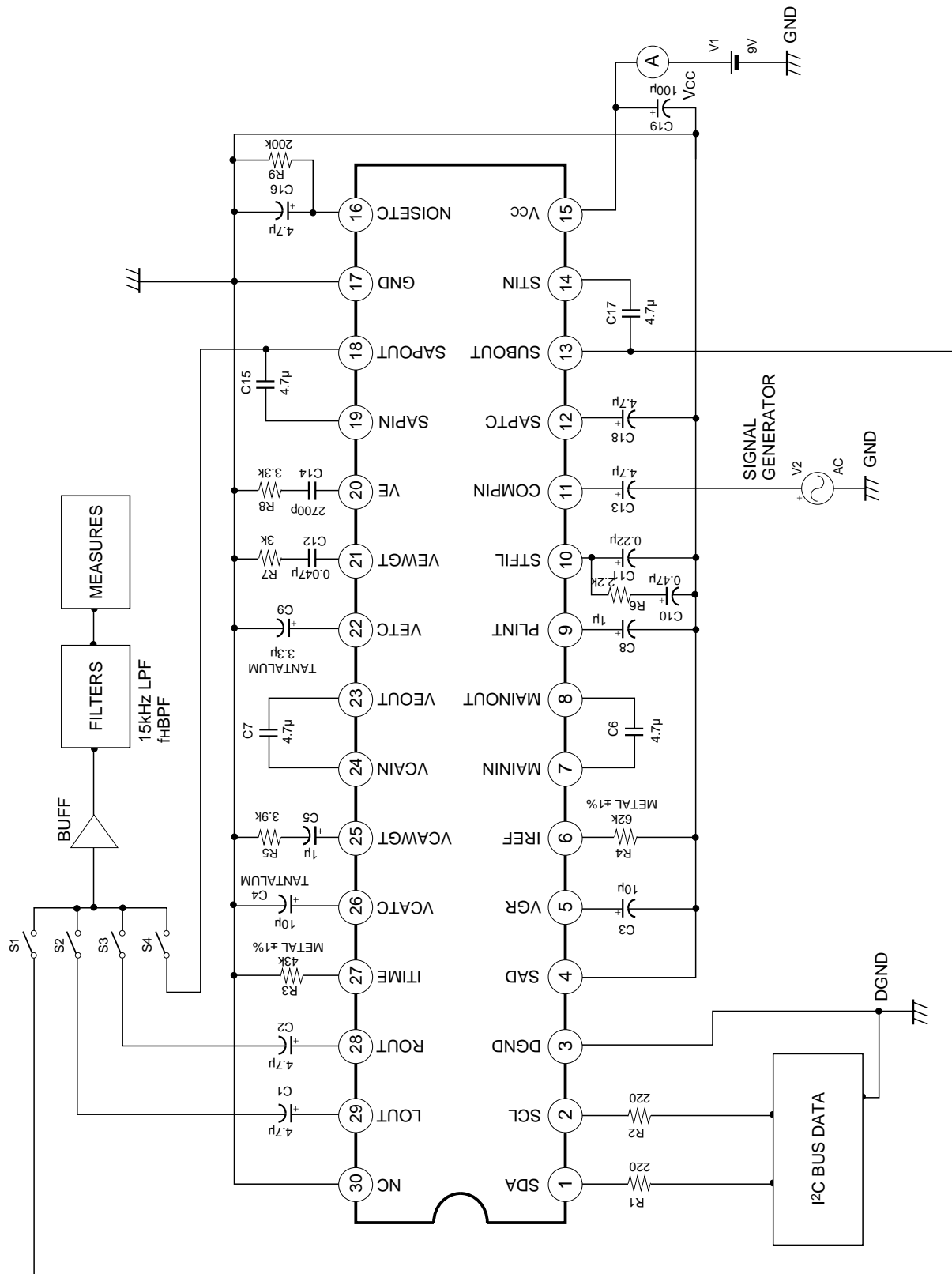
No.	Item	Symbol	Min.	Typ.	Max.	Unit
1	High level input voltage	V _{IH}	3.0	—	5.0	V
2	Low level input voltage	V _{IL}	0	—	1.5	
3	High level input current	I _{IH}	—	—	10	μA
4	Low level input current	I _{IL}	—	—	10	
5	Low level output voltage SDA (Pin 1) during 3 mA inflow	V _{OL}	0	—	0.4	V
6	Max. inflow current	I _{OL}	3	—	—	mA
7	Input capacitance	C _i	—	—	10	pF
8	Max. clock frequency	f _{SCL}	0	—	100	kHz
9	Minimum waiting time for data change	t _{BUF}	4.7	—	—	μs
10	Minimum waiting time for start of data transfer	t _{HD:STA}	4.0	—	—	
11	Low level clock pulse width	t _{LOW}	4.7	—	—	
12	High level clock pulse width	t _{HIGH}	4.0	—	—	
13	Minimum waiting time for start preparation	t _{SU:STA}	4.7	—	—	
14	Min. data hold time	t _{HD:DAT}	0	—	—	
15	Min. data preparation time	t _{SU:DAT}	250	—	—	ns
16	Rise time	t _R	—	—	1	μs
17	Fall time	t _F	—	—	300	ns
18	Minimum waiting time for stop preparation	t _{SU:STO}	4.7	—	—	μs

I²C BUS load conditions: Pull-up resistor 4 kΩ (Connect to +5 V)
 Load capacity 200 pF (Connect to GND)

I²C BUS Control Signal



Electrical Characteristics Measurement Circuit



I²C BUS Register Data Standard Setting Values

Register	Number of bits	Classification	Standard setting	Contents	Setting value when electrical characteristics are measured
ATT	4	A	9	Center point	Adjustment point
STVCO	6	A	1F		
SAPVCO	4	A	8		
SAPLPF	4	A	8		
STLPF	6	A	1F		
SPECTRAL	6	A	1F		
WIDEBAND	6	A	1F		
TEST-DA	1	T	0	Normal mode	
TEST1	1	T	0		
NRSW	1	U	—	According to the mode control table	
FOMO	1	U	—		
M1	1	U	1	Mute OFF	
SAPC	1	S	—	Fixed by the set specifications	
ATTSW	1	S	—		

Classification A: Adjustment
 U: User control
 S: Proper to set
 T: Test

List of Adjustment Contents

	Adjustment item	Adjustment data	Input pin	Input signal	Measurement item	Adjustment contents	Test mode setting
1	MAIN VCA	ATT	COMPIN (Pin 11)	100Hz 245mVrms	LOUT output level	Adjust as close to 490 mVrms as possible	
2	ST VCO	STVCO	None	None	ROUT output frequency	Adjust as close to 62.936 kHz as possible	TEST-DA=1
3	SAP VCO	SAPVCO	COMPIN (Pin 11)	5fH (78.67k) 147mVrms	STA7 (SAPVCO1) STA8 (SAPVCO2)	Adjust to the center of the SAPVCO1 = 0, SAPVCO2 = 1 condition	
4	ST & dbx FILTER	STLPF	COMPIN (Pin 11)	9.4kHz 600mVrms	STA3 (STLPF)	Adjust to the center of the STLPF = 1 condition	TEST1=1
5	SAP FILTER	SAPLPF	COMPIN (Pin 11)	88kHz 120mVrms	STA4 (SAPLPF)	Adjust to the center of the SAPLPF = 1 condition	TEST1=1
6	Low frequency ST separation	WIDEBAND	COMPIN (Pin 11)	ST-L 30% 300Hz	ROUT output level	Minimize the output level	
	High frequency ST separation	SPECTRAL	COMPIN (Pin 11)	ST-L 30% 3kHz	ROUT output level	Minimize the output level	

Adjustment Method

1 ATT adjustment

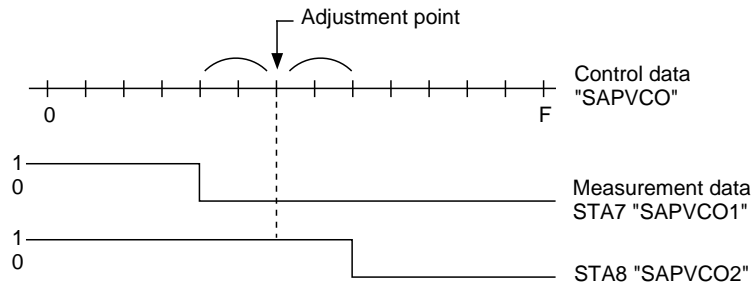
1. TEST BIT is set to "TEST1 = 0" and "TEST-DA = 0".
2. Input a 100 Hz, 245 mVrms sine wave signal to COMPIN and monitor the LOOUT output level. Then, adjust the "ATT" data for ATT adjustment so that LOOUT output goes to the standard value.
3. Adjustment range: $\pm 30\%$
Adjustment bits: 4 bits

2 Stereo VCO adjustment

1. TEST BIT is set to "TEST1 = 0" and "TEST-DA = 1".
2. Monitor the ROUT output (4 fH free run) frequency in a no input state, and adjust "STVCO" adjustment data so that this frequency is as close to 4fH (62.936 kHz) as possible.
3. Adjustment range: $\pm 20\%$
Adjustment bits: 6 bits

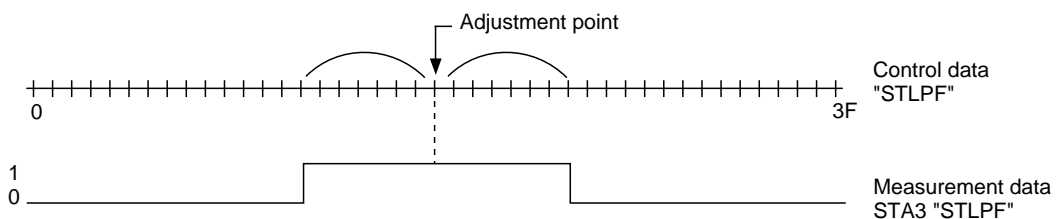
3 SAPVCO adjustment

1. TEST BIT is set to "TEST1 = 0" and "TEST-DA = 0".
2. Input a 5fH (SAP carrier , 78.67 kHz) , 147 mVrms sine wave signal to COMPIN. While monitoring the STATUS FLAG (STA7, STA8) condition, adjust "SAPVCO" adjustment data.
3. Adjustment range: $\pm 20\%$
Adjustment bits: 4 bits
Align SAPVCO with the center of the STA7 = 0 and STA8 = 1 (adjustment OK) condition range.



4 Stereo block dbx filter adjustment

1. TEST BIT is set to "TEST1 = 1" and "TEST-DA = 0".
2. Input a 9.4 kHz, 600 mVrms sine wave signal to COMPIN. While monitoring the STATUS FLAG (STA3) condition, adjust the "STLPF" adjustment data.
3. Adjustment range: $\pm 20\%$
Adjustment bits: 6 bits
Align STLPF with the center of the STA3 = 1 (adjustment OK) condition range.



Description of Operation

The US audio multiplexing system possesses the base band spectrum shown in Fig. 1.

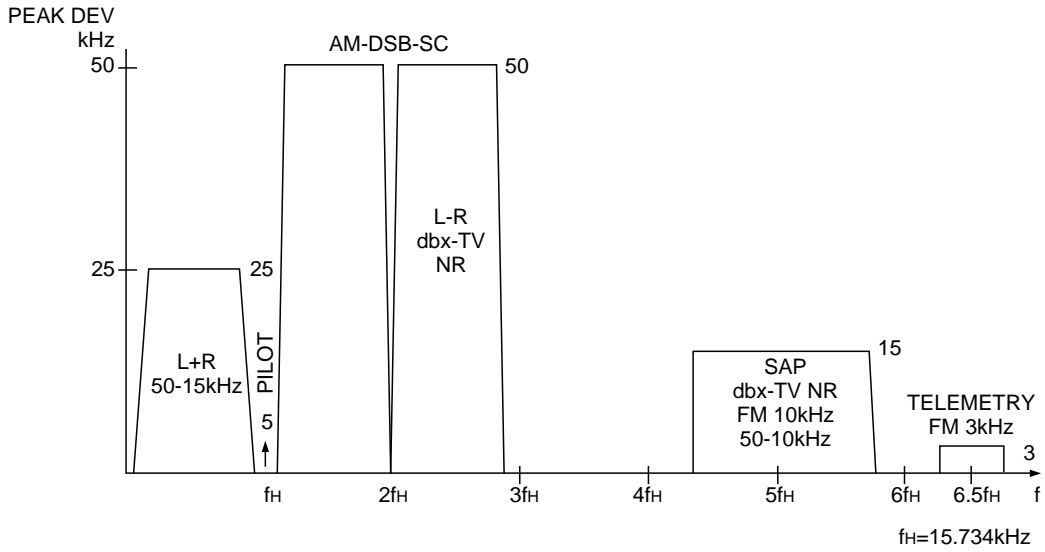


Fig. 1. Base band spectrum

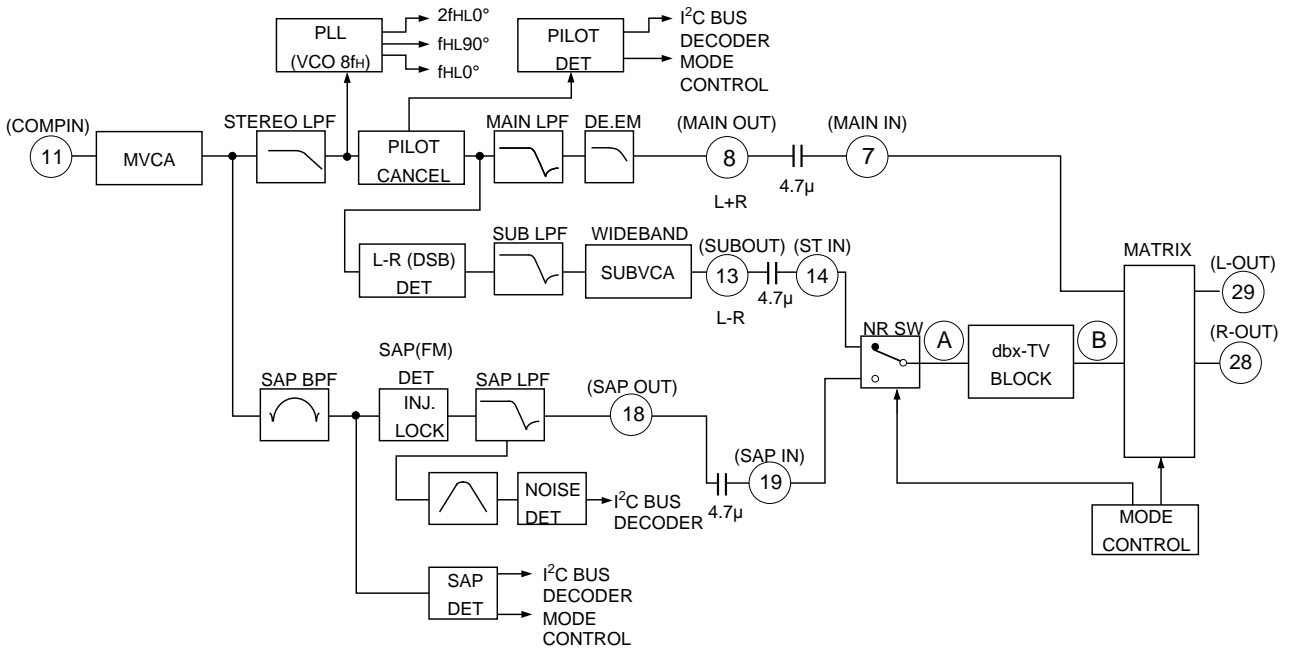


Fig. 2. Overall block diagram (See Fig. 3 for the dbx-TV block)

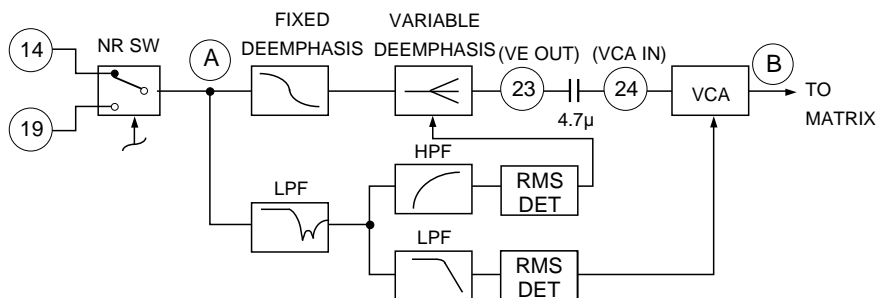


Fig. 3. dbx-TV block

(1) L + R (MAIN)

After the audio multiplexing signal input from COMPIN (Pin 11) passes through MVCA, the SAP signal and telemetry signal are suppressed by STEREO LPF. Next, the pilot signals are canceled. Finally, the L - R signal and SAP signal are removed by MAIN LPF, and frequency characteristics are flattened (de-emphasized) and input to the matrix.

(2) L - R (SUB)

The L - R signal follows the same course as L + R before the pilot signal is canceled. L - R has no carrier signal, as it is a suppressed-carrier double-sideband amplitude modulated signal (DSB-AM modulated). For this reason, the pilot signal is used to regenerate the carrier signal (quasi-sine wave) to be used for the demodulation of the L - R signal. In the last stage, the residual high frequency components are removed by SUB LPF and the L - R signal is input to the dbx-TV block via the NRSW circuit after passing through SUBVCA.

(3) SAP

SAP is an FM signal using 5fH as a carrier as shown in the Fig.1. First, the SAP signal only is extracted using SAP BPF. Then, this is subjected to FM detection. Finally, residual high frequency components are removed and frequency characteristics flattened using SAP LPF, and the SAP signal is input to the dbx-TV block via the NRSW circuit. When there is no SAP signal, the Pin 18 output is soft muted.

(4) Mode discrimination

Stereo discrimination is performed by detecting the pilot signal amplitude. SAP discrimination is performed by detecting the 5fH carrier amplitude. NOISE discrimination is performed by detecting the noise near 25 kHz after FM detection.

(5) dbx-TV block

Either the SAP signal or L - R signal input respectively from ST IN (Pin 14) or SAP IN (Pin 19) is selected by the mode control and input to the dbx-TV block.

The input signal then passes through the fixed de-emphasis circuit and is applied to the variable de-emphasis circuit. The signal output from the variable de-emphasis circuit passes through an external capacitor and is applied to VCA (voltage control amplifier). Finally, the VCA output is converted from a current to a voltage using an operational amplifier and then input to the matrix.

The variable de-emphasis circuit transmittance and VCA gain are respectively controlled by each of effective value detection circuits. Each of the effective value detection circuits passes the input signal through a predetermined filter for weighting before the effective value of the weighted signal is detected to provide the control signal.

(6) Others

"MVCA" is a VCA which adjusts the input signal level to the standard level of this IC. In addition, the input signal enters the decoder without passing through MVCA by setting $ATTSW = 1$.

The signals (L + R, L - R, SAP) input to "MATRIX" are selected according to the BUS data and whether there is ST or SAP discrimination, and any one of the ST-L, ST-R, MONO or SAP signals is output to LOUT and ROUT.

"Bias" supplies the reference voltage and reference current to the other blocks. The currents flowing to the resistors connecting IREF (Pin 6) and ITIME (Pin 27) with GND become the reference current.

Register Specifications

Slave address

SAD pin	SLAVE RECEIVER	SLAVE TRANSMITTER
GND	80H	81H
Vcc	8AH	8BH

Register table

SUB ADDRESS		DATA							
MSB	LSB	BIT7	BIT6	BIT5	BIT4	BIT3	BIT2	BIT1	BIT0
****0000	*	ATT SW	TEST-DA	TEST1	ATT [4] INPUT LEVEL adj				
****0001	*	STVCO [6] STEREO VCO adj							
****0010	*	(SAPVCO [4] SAP VCO adj)			(SAPLPF [4] SAP FILTER adj)				
****0011	*	STLPF [6] ST FILTER adj							
****0100	*	SPECTRAL [6]							
****0101	*	WIDEBAND [6]							
****0110	*					NRSW	FOMO	SAPC	M1

*: Don't Care

Status Register

When TEST1 = 0

STA1	STA2	STA3	STA4	STA5	STA6	STA7	STA8
BIT7	BIT6	BIT5	BIT4	BIT3	BIT2	BIT1	BIT0
POWER ON RESET	STEREO	SAP	NOISE	—	—	SAP VCO1	SAP VCO2

When TEST1 = 1

STA1	STA2	STA3	STA4	STA5	STA6	STA7	STA8
BIT7	BIT6	BIT5	BIT4	BIT3	BIT2	BIT1	BIT0
POWER ON RESET	STEREO	STLPF	SAPLPF	—	—	—	—

Description of Registers

Control registers

Register	Number of bits	Classification*	Contents
ATT	4	A	Input level adjustment
STVCO	6	A	STEREO VCO free running frequency adjustment
SAPVCO	4	A	SAP VCO free running frequency adjustment
SAPLPF	4	A	SAP filter adjustment
STLPF	6	A	STEREO and dbx filter adjustment
SPECTRAL	6	A	Adjustment of stereo separation (3 kHz)
WIDEBAND	6	A	Adjustment of stereo separation (300 Hz)
TEST-DA	1	T	Turn to DAC test mode and STVCO adjustment mode by means of TEST-DA = 1.
TEST1	1	T	Turn to test mode by means of TEST = 1. (Adjustment of STLPF and SAPLPF)
NRSW	1	U	Selection of the output signal (STEREO mode , SAP mode)
FOMO	1	U	Turn to forced MONO by means of FOMO = 1. (LOUT only is MONO during SAP output.)
M1	1	U	Selection of mute ON/OFF (0: mute ON, 1: mute OFF)
SAPC	1	S	Selection of SAP mode or L + R mode according to the presence of SAP broadcasting
ATTSW	1	S	Turns the input stage MVCA off when ATTSW = 1.

*Classification U: User control
 A: Adjustment
 S: Proper to set
 T: Test

Status registers

Register	Number of bits	Contents
PONRES	1	POWER ON RESET detection; 1: RESET
STEREO	1	Stereo discrimination of the input signal; 1: Stereo
SAP	1	SAP discrimination of the input signal; 1: SAP
NOISE	1	Noise level discrimination of the input signal mode; 1: Noise
STLPF	1	Status of STEREO filter adjustment; 1: OK range
SAPLPF	1	Status of SAP filter adjustment; 1: OK range
SAPVCO1	1	Status 1 of SAP VCO free running frequency adjustment; 0: OK range
SAPVCO2	1	Status 2 of SAP VCO free running frequency adjustment; 1: OK range

Description of Control Registers

- ATT (4): Adjust the signal level input to COMPIN (Pin 11) to the reference level (245 mVrms).
Variable range of the input signal: 245 mVrms -5.0 dB to $+3.0$ dB
0 = Level min.
F = Level max.
- STVCO (6): Adjust STEREO VCO free running frequency (f_0).
Variable range: $f_0 \pm 20\%$
0 = Free running frequency min.
3F = Free running frequency max.
- SAPVCO (4): Adjust SAPVCO free running frequency (f_0).
Variable range: $f_0 \pm 20\%$
0 = Free running frequency min.
F = Free running frequency max.
- SAPLPF (4): Adjust the filter f_0 of the SAP block.
Variable range: $f_0 \pm 20\%$
0 = Frequency min.
F = Frequency max.
- STLPF (6): Adjust the filter f_0 of the ST and dbx blocks.
Variable range: $f_0 \pm 20\%$
0 = Frequency min.
3F = Frequency max.
- SPECTRAL (6): Perform high frequency ($f_s = 3$ kHz) separation adjustment.
0 = Level max.
3F = Level min.
- WIDEBAND (6): Perform low frequency ($f_s = 300$ Hz) separation adjustment.
0 = Level min.
3F = Level max.
- TEST1 (1): Set filter adjustment mode.
0 = Normal mode
1 = STLPF (STA3) and SAPLPF (STA4) adjustment mode
In addition, the following outputs are present at Pins 28 and 29.
LOUT (Pin 29): SAP BPF OUT
ROUT (Pin 28): NR BPF OUT
- TEST-DA (1): Set DAC output test mode and STVCO adjustment mode.
0 = Normal mode
1 = DAC output test mode and STVCO adjustment mode
LOUT (Pin 29): DA control DC level
ROUT (Pin 28): STEREO VCO oscillation frequency (4 fH)

- NRSW (1) Select stereo mode or SAP mode
0 = Stereo mode
1 = SAP mode
- FOMO (1): Select forced MONO mode
0 = Normal mode
1 = Forced MONO mode
- SAPC (1): Select the SAP signal output mode
When there is no SAP signal, the conditions for selecting SAP output are selected by SAPC.
0 = L + R output is selected
1 = SAP output is selected
- ATTSW (1) MAIN VCA switch
0 = Normal mode
1 = MAIN VCA is passed.
- M1 (1) Mute the LOUT and ROUT output
0 = Mute ON
1 = Mute OFF

Description of Mode Control

Priority ranking: TEST-DA > TEST1 > M1 > (NRSW & FOMO & SAPC)

Mode control	SAPC=0	SAPC=1
NRSW	<p>“Select dbx input and LOUT & ROUT output” Conditions: FOMO = 0 NRSW = 0 (MONO or ST output)</p> <ul style="list-style-type: none"> • During ST input: LOUT : L, ROUT : R • During other input: LOUT : L + R, ROUT : L + R <p>NRSW = 1 (SAP output)</p> <ul style="list-style-type: none"> • When there is “SAP” during SAP discrimination LOUT: SAP, ROUT: SAP • When there is “No SAP”, output is the same as when NRSW = 0. 	<p>“Select dbx input and LOUT & ROUT output” Conditions: FOMO = 0 NRSW = 0 (MONO or ST output)</p> <p>As on the left</p> <p>NRSW = 1 (SAP output)</p> <ul style="list-style-type: none"> • Regardless of the presence of SAP discrimination, dbx input: “SAP” LOUT: SAP, ROUT: SAP <p>However, when there is no SAP, SAPLPF output is soft muted (–7 dB)</p>
FOMO	“Forced MONO”	
	<p>FOMO = 1</p> <ul style="list-style-type: none"> • During SAP output: LOUT: L + R, ROUT: SAP • During ST or MONO output: LOUT: L + R, ROUT: L + R 	
SAPC	<p>Change the selection conditions for “MONO or ST output” and “SAP output”.</p> <p>SAPC = 0: Switch to SAP output when there is SAP discrimination. Do not switch to SAP output when there is no SAP discrimination.</p> <p>SAPC = 1: Switch to SAP output regardless of whether there is SAP discrimination.</p>	
M1	“MUTE”	
	<p>M1 = 0 Output is muted.</p>	
TEST1	“TEST1”	
	<p>TEST1 = 1 Return adjustment data with STATUS REGISTER as an adjustment mode. In addition, outputs are as follows. LOUT: SAP BPF OUT ROUT: NR BPF OUT</p>	
TEST-DA	“TEST-DA”	
	<p>TEST-DA = 1 Used to TEST of D/A. LOUT: D/A output ROUT: STVCO oscillation frequency (4 fH)</p>	

Mode Control No. 1 (SAPC = 1)

Input signal mode	Mode detection			Mode control			dbx input	Output	
	ST	SAP	NOISE	NRSW	FOMO	SAPC		Lch	Rch
MONO ¹⁾	0	0	0	0	*	1	MUTE	L+R	L+R
	0	0	0	1	0	1	SAP	SAP	SAP
	0	0	0	1	1	1	SAP	L+R	SAP
	0	*	1	0	*	1	MUTE	L+R	L+R
	0	*	1	1	0	1	(SAP)	(SAP)	(SAP)
	0	*	1	1	1	1	(SAP)	L+R	(SAP)
STEREO ¹⁾	1	0	*	0	0	1	L-R	L	R
	1	0	*	0	1	1	MUTE	L+R	L+R
	1	1	1	0	0	1	L-R	L	R
	1	1	1	0	1	1	MUTE	L+R	L+R
	1	0	0	1	0	1	SAP	SAP	SAP
	1	0	0	1	1	1	SAP	L+R	SAP
	1	*	1	1	0	1	(SAP)	(SAP)	(SAP)
	1	*	1	1	1	1	(SAP)	L+R	(SAP)
MONO & SAP	0	1	*	0	0	1	MUTE	L+R	L+R
	0	1	*	0	1	1	MUTE	L+R	L+R
	0	1	0	1	0	1	SAP	SAP	SAP
	0	1	0	1	1	1	SAP	L+R	SAP
	0	1	1	1	0	1	(SAP)	(SAP)	(SAP)
	0	1	1	1	1	1	(SAP)	L+R	(SAP)
STEREO & SAP	1	1	*	0	0	1	L-R	L	R
	1	1	*	0	1	1	MUTE	L+R	L+R
	1	1	0	1	0	1	SAP	SAP	SAP
	1	1	0	1	1	1	SAP	L+R	SAP
	1	1	1	1	0	1	(SAP)	(SAP)	(SAP)
	1	1	1	1	1	1	(SAP)	L+R	(SAP)

Note)

(SAP) : The SAPOUT output signal is soft muted (approximately -7 dB).

The signal is soft muted when NOISE = 1.

* : Don't care.

1) : SAP or NOISE discrimination may be made during MONO or STEREO input when the noise is inputted in the weak electric field.

"NOISE" status rises earlier than "SAP" status when the amount of noise is increased to COMPIN.

Mode Control No. 2 (SAPC = 0)

Input signal mode	Mode detection			Mode control			dbx input	Output	
	ST	SAP	NOISE	NRSW	FOMO	SAPC		Lch	Rch
MONO ¹⁾	0	0	*	*	*	0	MUTE	L+R	L+R
	0	1	1	0	0	0	MUTE	L+R	L+R
	0	1	1	0	1	0	MUTE	L+R	L+R
	0	1	1	1	0	0	(SAP)	(SAP)	(SAP)
	0	1	1	1	1	0	(SAP)	L+R	(SAP)
STEREO ¹⁾	1	0	*	0	0	0	L-R	L	R
	1	0	*	0	1	0	MUTE	L+R	L+R
	1	0	*	1	0	0	L-R	L	R
	1	0	*	1	1	0	MUTE	L+R	L+R
	1	1	1	0	0	0	L-R	L	R
	1	1	1	0	1	0	MUTE	L+R	L+R
	1	1	1	1	0	0	(SAP)	(SAP)	(SAP)
	1	1	1	1	1	0	(SAP)	L+R	(SAP)
MONO & SAP	0	1	0	0	0	0	MUTE	L+R	L+R
	0	1	0	0	1	0	MUTE	L+R	L+R
	0	1	0	1	0	0	SAP	SAP	SAP
	0	1	0	1	1	0	SAP	L+R	SAP
	0	1	1	0	0	0	MUTE	L+R	L+R
	0	1	1	0	1	0	MUTE	L+R	L+R
	0	1	1	1	0	0	MUTE	L+R	L+R
	0	1	1	1	1	0	MUTE	L+R	L+R
STEREO & SAP	1	1	0	0	0	0	L-R	L	R
	1	1	0	0	1	0	MUTE	L+R	L+R
	1	1	0	1	0	0	SAP	SAP	SAP
	1	1	0	1	1	0	SAP	L+R	SAP
	1	1	1	0	0	0	L-R	L	R
	1	1	1	0	1	0	MUTE	L+R	L+R
	1	1	1	1	0	0	L-R	L	R
	1	1	1	1	1	0	MUTE	L+R	L+R

Note)

(SAP) : The SAPOUT output signal is soft muted (approximately -7 dB).

The signal is soft muted when NOISE = 1.

* : Don't care.

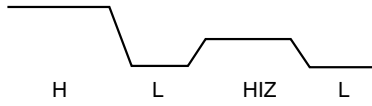
1) : SAP or NOISE discrimination may be made during MONO or STEREO input when the noise is inputted in the weak electric field.

"NOISE" status rises earlier than "SAP" status when the amount of noise is increased to COMPIN.

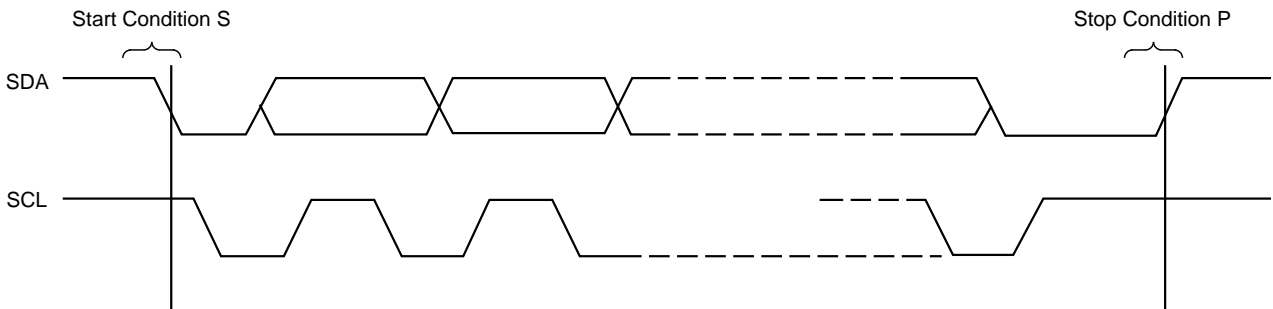
I²C BUS Signal

There are two I²C signals, SDA (Serial DATA) and SCL (Serial CLOCK) signal. SDA is a bidirectional signal.

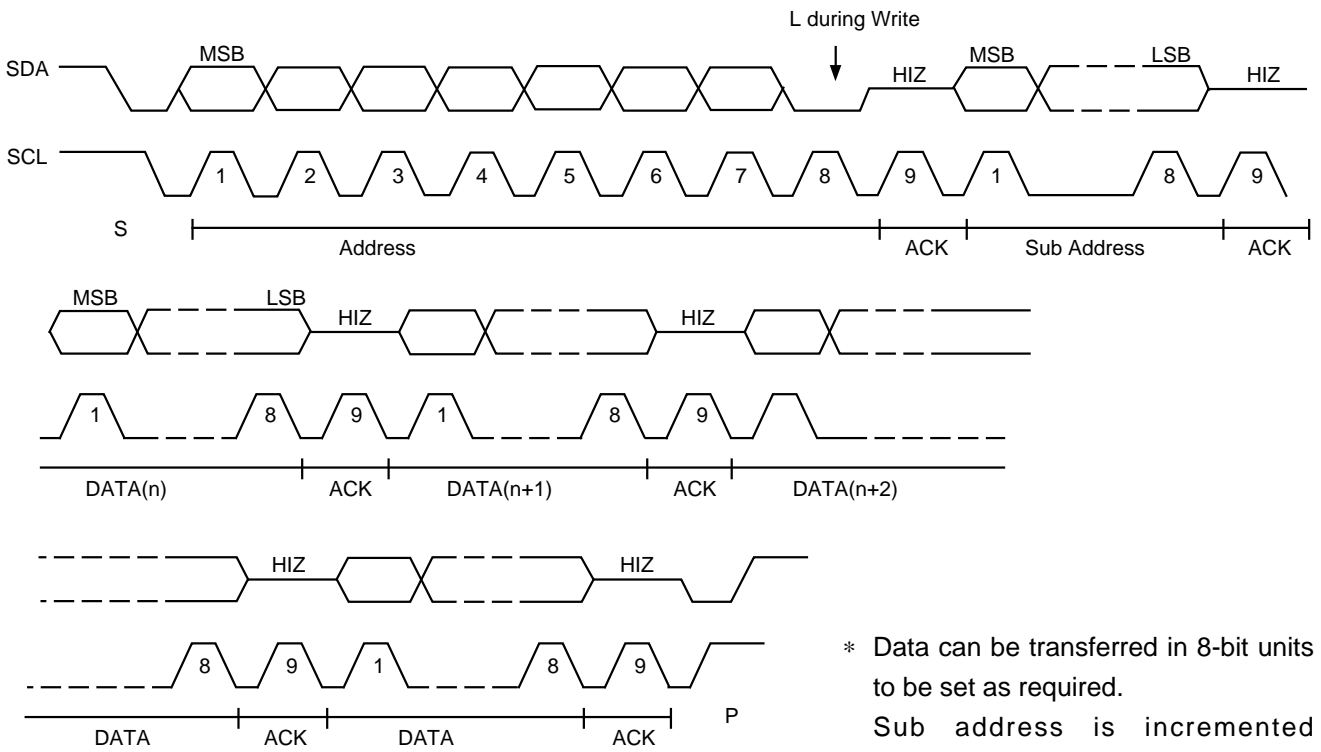
- Accordingly there are 3 values outputs, H, L and HIZ.



- I²C transfer begins with Start Condition and ends with Stop Condition.

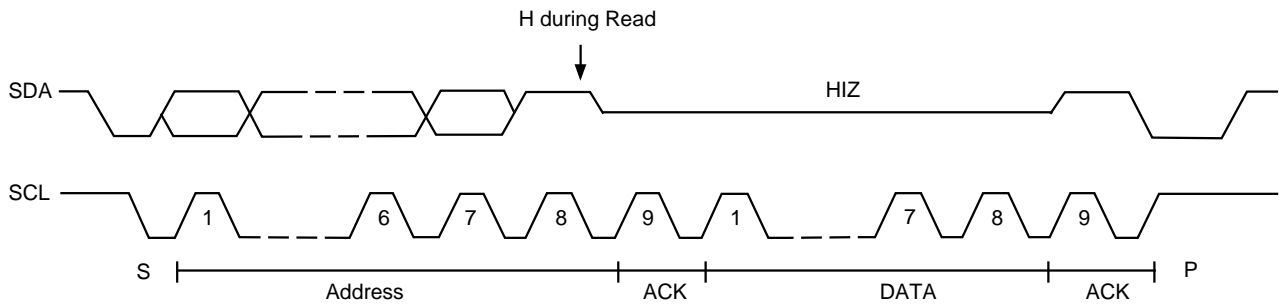


- I²C data Write (Write from I2C controller to the IC)

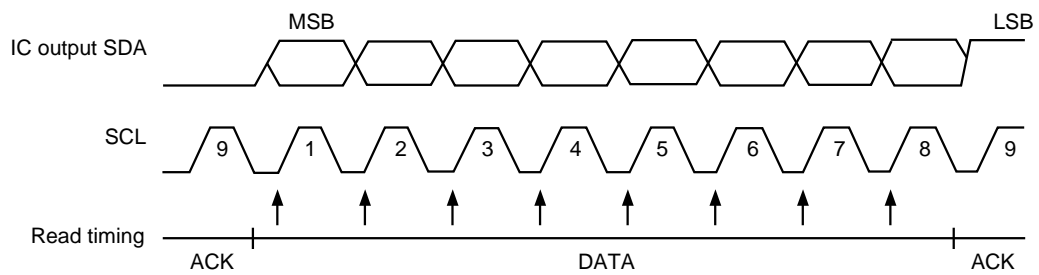


* Data can be transferred in 8-bit units to be set as required.
Sub address is incremented automatically.

• I²C data Read (Read from the IC to I²C controller)

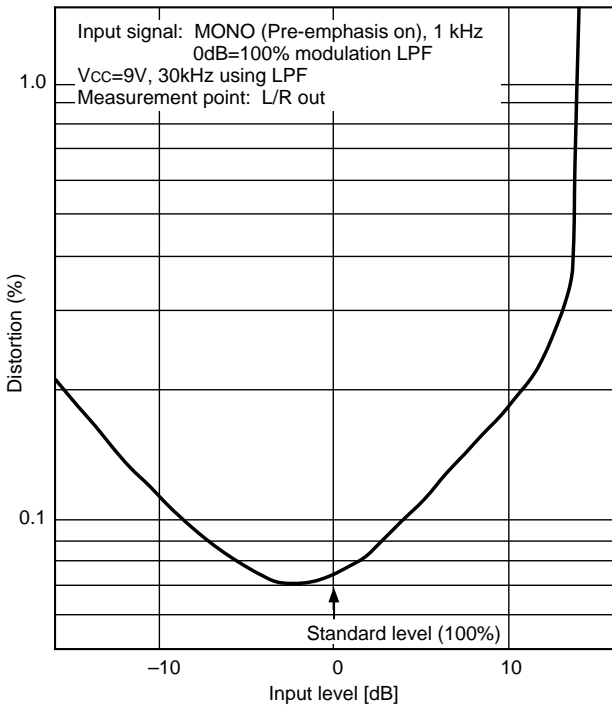


• Read timing

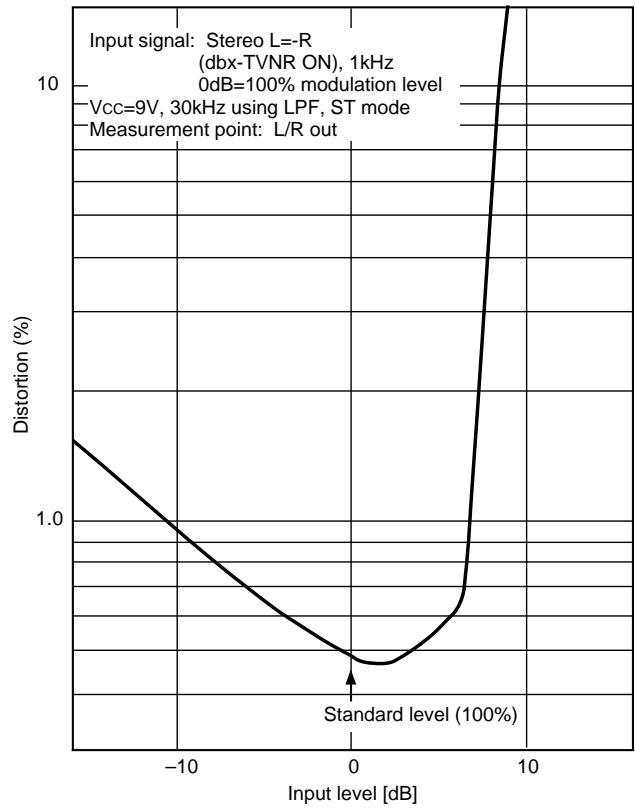


* Data Read is performed during SCL rise.

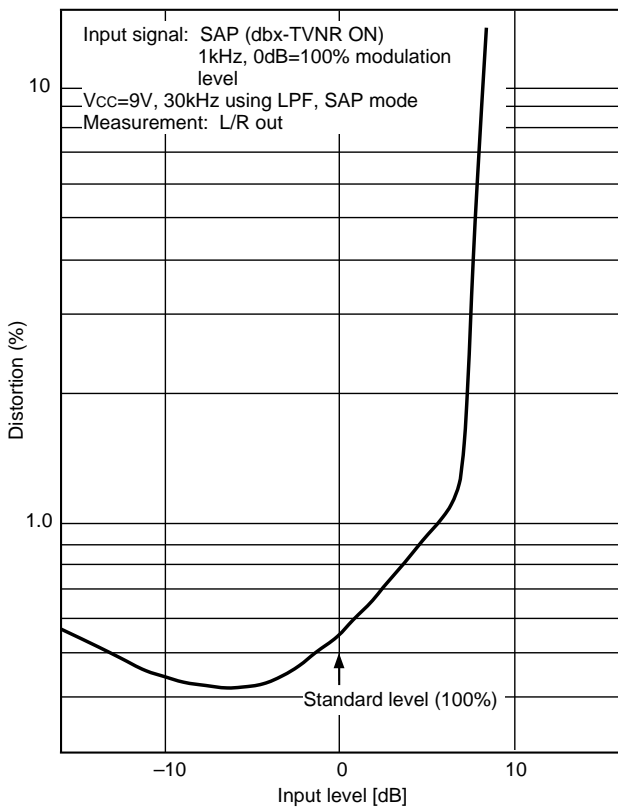
Input level vs. Distortion characteristics 1 (MONO)

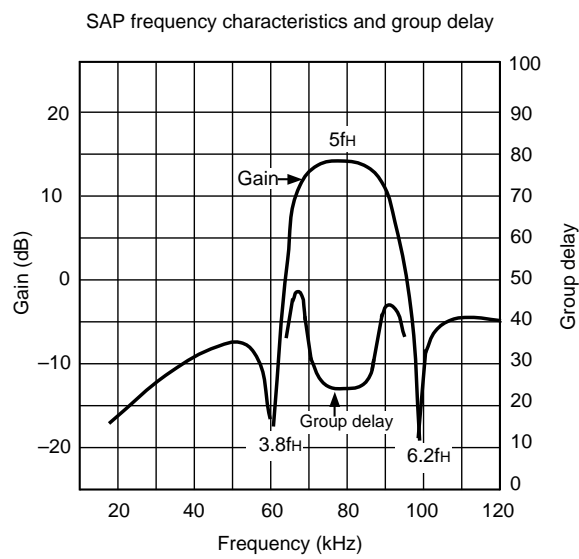
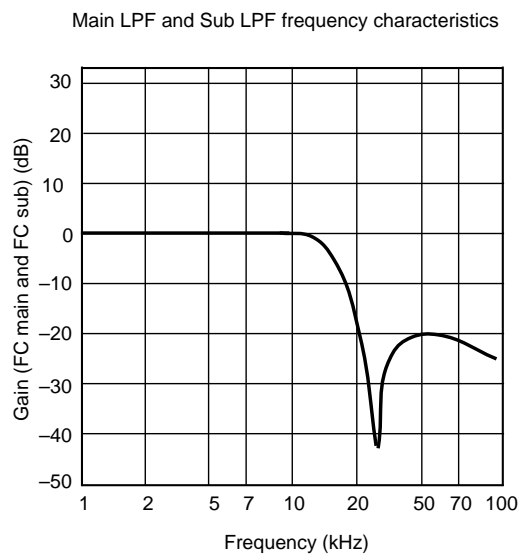
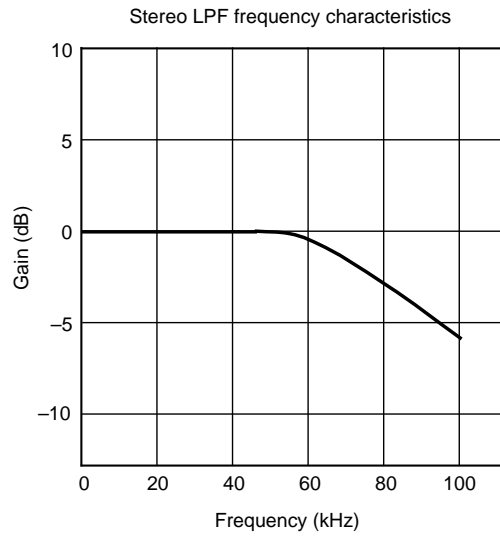


Input level vs. Distortion characteristics 2 (Stereo)



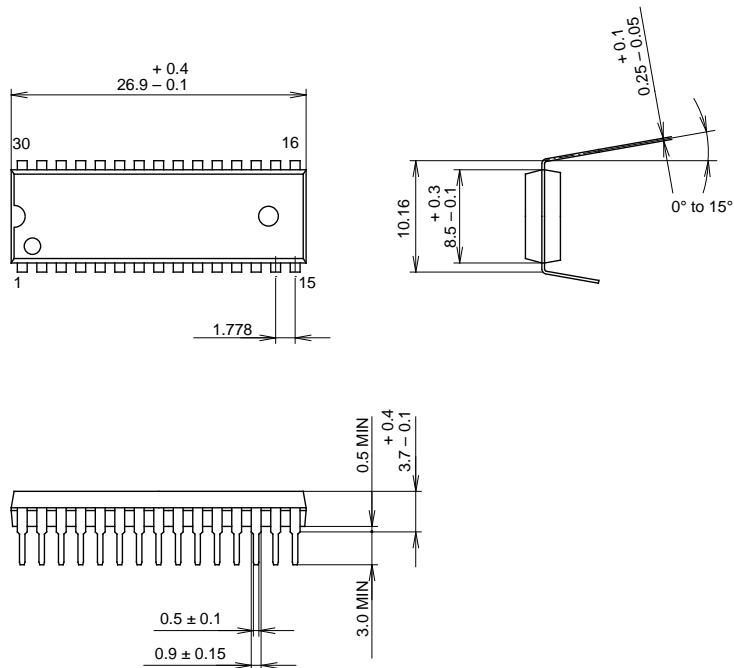
Input level vs. Distortion characteristics 3 (SAP)





Package Outline Unit : mm

30PIN SDIP (PLASTIC)



PACKAGE STRUCTURE

SONY CODE	SDIP-30P-01
EIAJ CODE	SDIP030-P-0400
JEDEC CODE	—

MOLDING COMPOUND	EPOXY / PHENOL RESIN
LEAD TREATMENT	SOLDER/PALLADIUM PLATING
LEAD MATERIAL	COPPER ALLOY
PACKAGE WEIGHT	1.8g